



Paving Intelligence into Safety, Security & Mobility

XCam-Edge

All-in-one Smart Traffic Camera

Highways - Bridges - Tunnels - Toll Roads

The new generation XCam-Edge is specifically designed for the combined challenges of traffic video surveillance and video analytic applications within a compact and cost effective product.

This all-in-one Automatic Incident Detection (AID) camera provides a color, H.264, full frame resolution video (768x576) at up to 30 frames per second. Specifically designed for traffic applications, it incorporates a Wide Dynamic Range CMOS Sensor to enhance the detection performances especially in highly contrasted environments often found on road and traffic monitoring applications.

Its latest generation processor enables the XCam-Edge to simultaneously process the full range of Citilog's field proven AID and Traffic Data collection solutions, while providing extensive IP video capabilities.

Compliant with all international traffic standards, the XCam-Edge combines an IP camera and an Automatic Incident Detection system in a single unit, thus providing significant cost savings compared to traditional AID architectures both in terms of capital costs and operating costs.

The XCam-Edge is designed for all types of traffic applications and environments such as tunnels, highways or bridges.



Incidents Detected

- ✓ Stopped vehicles
- ✓ Slow vehicle
- ✓ Slowdown
- ✓ Wrong way vehicle
- ✓ Pedestrian

Traffic Data Collection

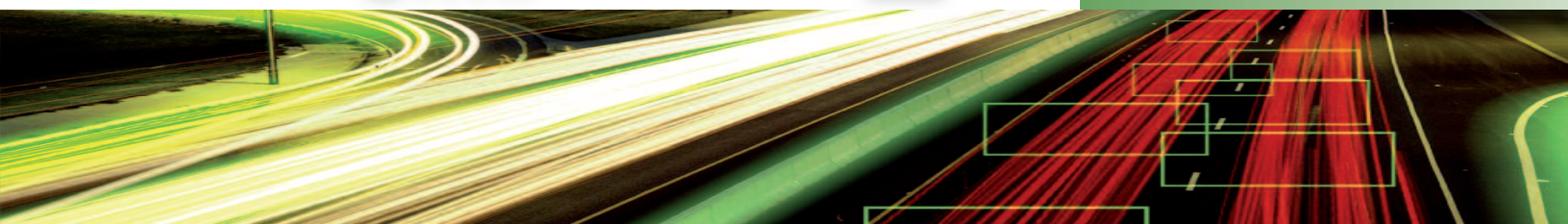
- ✓ Vehicle counting
- ✓ Vehicle classification
- ✓ Average speed
- ✓ Occupancy
- ✓ Levels of Services

H.264

PoE

IP67

ONVIF



IP CCTV READY

The **XCam-Edge** takes advantage of the latest developments in IP video and is compatible with all industry standards. It can simultaneously provide two streams, H264 and MJPEG up to full frame resolution.



SPECIFICATIONS

Video Streaming	Compression	H264 & MJPEG
	Resolution	320 x 240 to 768 x 576
	Frame rate	5 fps to 30 fps
Hardware	Sensor type	CMOS 1/2.7" WDR
	Sensor Resolution	1280 x 800 (WXGA)
	Power supply	+48V PoE
	Interface	Ethernet
Housing	IP rating	IP67
	Weight	1.5kg (3.3 lbs)
	Material	polycarbonate
Environmental & regulatory	Norms	NEMA-TS2 Environnemental Part
	Operating Temperature	-34°C to +74°C (-30°F to +167°F)
	Humidity	0 to 95% RH, non condensing
	Approvals	CE / FCC part 15 Class A / RoHs

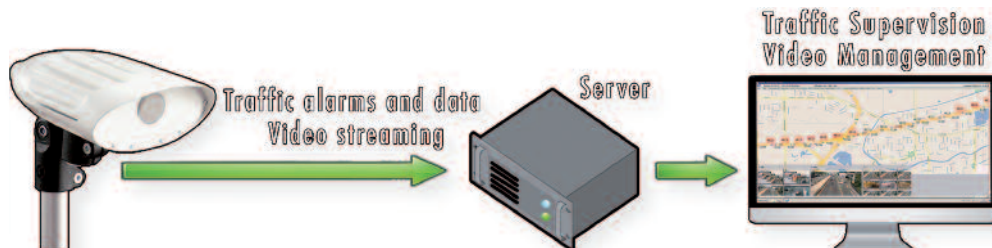
USER FRIENDLY INTERFACE

MediaManager, the newly developed Citilog GUI, provides supervision and administration functionalities through a user friendly interface. Along with all other Citilog products, the **XCam-Edge** can be integrated into **MediaManager**.



FLEXIBLE ARCHITECTURE

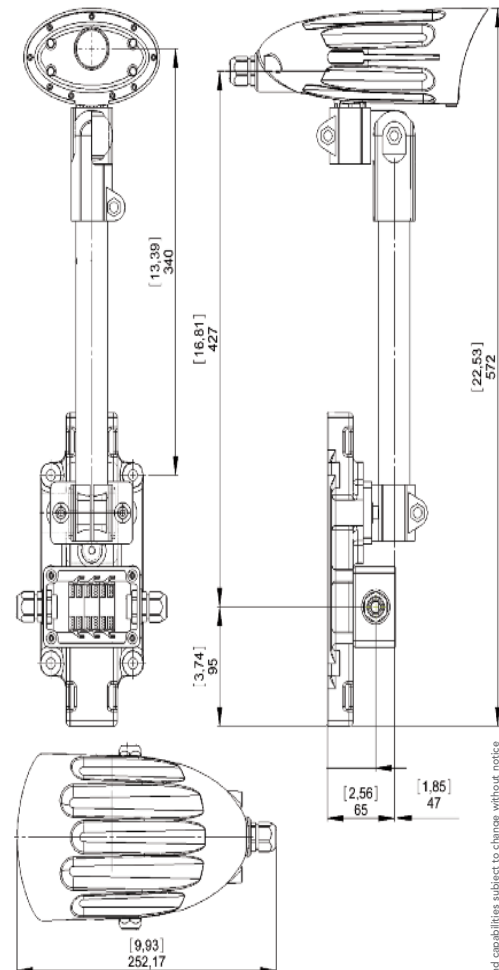
The **XCam-Edge** combines the features of a traffic dedicated IP camera with state of the art video analytics. It can be installed as a standalone CCTV/AID equipment or integrated into a complex existing CCTV system.



XCam-Edge

Key benefits

- ✓ Optimizes bandwidth requirements
- ✓ Reduces central hardware requirements
- ✓ Reduces Video system global Cost of Ownership



Europe

Citilog SA
19/21, rue du 8 mai 1945
94110 Arcueil - France
Tel: +33 1 41 24 34 54
Fax: +33 1 41 24 34 99
citilog@citilog.com

North America

Citilog Inc.
2 Bala Plaza, Suite 300
Bala Cynwyd, PA 19004 - USA
Tel: +1 (215) 609 49 45
Fax: +1 (484) 873 22 92
citilogusa@citilog.com

IberoAmerica

Citilog IberoAmerica
Av. Jacarandas, 2 Oficina 110
46100 Burjassot, Valencia - Spain
Tel: +34 961 363 971
Fax: +33 1 41 24 34 99
espana@citilog.com

Asia-Pacific

Citilog
35/F Central Plaza, 18 Harbour Road
Wanchai - Hong Kong
Tel: +852 2593 1500
Fax: +852 2593 1222
citilogapa@citilog.com